



# Geometry in BIM

ICIS DA, PORTLAND, JUNE 4 2019

Ing. arch. Petr Vokoun  
managing director, BIM Project



# BIM Project

---



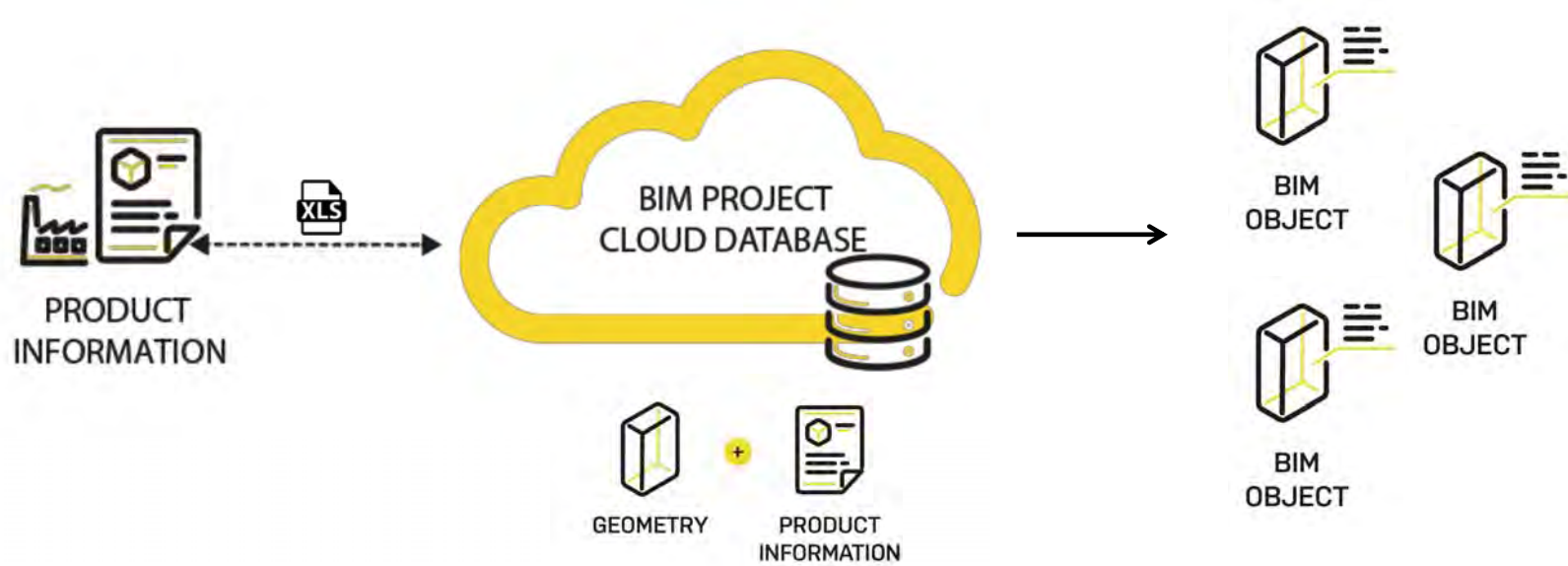
- Group of experienced **programmers** and enthusiastic **architects**
- Experience with development for BIM **since 2007**
- **Top-of-the-line technologies**
- Proud member of **Czech Technical Committee** for BIM, member of **ICIS**, **Czech BIM Council**, CWA Smart CE-marking in **CEN**



# Automation



- Data syncing: API, JSON, XLSX



# Classification?



GROHE\_hanging bidet

Domů Vložení Kreslení Rozložení stránky Vzorce Data Revize Zobrazení

Calibri 11

Vložit

Obecný

Podmíněné formátování Formátovat jako tabulku Styly buňky

Vložit Odstranit Formát Seřadit a filtrovat

A12

BIM PROJECT Cloud database import file														
parameter name	Brand	Product group	Product group	Product name	Short description	Long description	Product URL	Technical data sheet	Installation manual	Declaration of conformity	Declaration of performance	preview picture	manufacturer URL	article number
description	Brand of your product / product line	Group that is used to sort your products in the database, it is independent against Product family.	Group that is used to sort your products in the database, it is	Full name of the product or construction	Product description, short version up to 256 characters.	Product description, long version, unlimited characters.	reference to www product page	PDF file with technical description	PDF file with installation instructions	reference to PDF file for declaration of conformity	reference to PDF file for declaration of performance			
format	TEXT	TEXT	TEXT	TEXT	TEXT	TEXT	URL	URL	URL	URL	URL			
format/description	text string, you may insert more values separated by semicolon	text string, you may insert more values separated by semicolon	text string, you may insert more	text string, you may insert more values separated by semicolon	text string, you may insert more values separated by semicolon	text string, you may insert more values separated by semicolon	web link to a file that is already uploaded on your server. If not, URL will be generated after	web link to a file that is already uploaded on your server. If not, URL will be generated after	web link to a file that is already uploaded on your server. If not, URL will be generated after	web link to a file that is already uploaded on your server. If not, URL will be generated after	web link to a file that is already uploaded on your server. If not, URL will be generated after			
units														
example values														
	Grohe	bidets	anging_bide	Cube Ceramic Hanging bidet	anging bidet	Enrich each minimalist b	<a href="https://www.grohe.cz">https://www.grohe.cz</a>	<a href="https://cdn.doud.grohe.com/tpl/100000/100000/100000/100000/100000/100005/100005384/orig">https://cdn.doud.grohe.com/tpl/100000/100000/100000/100000/100000/100005/100005384/orig</a>				<a href="https://cdn.doud.grohe.com">https://cdn.doud.grohe.com</a>	<a href="https://www.grohe.com">https://www.grohe.com</a>	394800H
	Grohe	bidets	anging_bide	Essence Hanging bidet	anging bidet		<a href="https://www.grohe.cz/cs/essence-zavesny-bidet-3957400H.html">https://www.grohe.cz/cs/essence-zavesny-bidet-3957400H.html</a>					<a href="https://cdn.doud.grohe.com">https://cdn.doud.grohe.com</a>	<a href="https://www.grohe.com">https://www.grohe.com</a>	3957400H
	Grohe	bidets	anging_bide	Ceramic bidet with Pure	anging bidet	GROHE Euro Ceramic su	<a href="https://www.grohe.cz">https://www.grohe.cz</a>	<a href="https://cdn.doud.grohe.com/tpl/100000/100000/100000/100000/100060/100060/100063/100063846/orig">https://cdn.doud.grohe.com/tpl/100000/100000/100000/100000/100060/100060/100063/100063846/orig</a>				<a href="https://cdn.doud.grohe.com">https://cdn.doud.grohe.com</a>	<a href="https://www.grohe.com">https://www.grohe.com</a>	392800H

Připraven 75 %

# Classification?

---



shower drain



Industrial drain

# Geometry development

- NOFER\_air fresheners.xlsx
- NOFER\_ashtray.xlsx
- NOFER\_baby changing units.xlsx
- NOFER\_bathroom accessories.xlsx
- NOFER\_bathroom rails.xlsx
- NOFER\_bathtub seats.xlsx
- NOFER\_bathtubs.xlsx
- NOFER\_bedpans.xlsx
- NOFER\_bins.xlsx
- NOFER\_door\_stop.xlsx
- NOFER\_drawers.xlsx
- NOFER\_emergency showers.xlsx
- NOFER\_eyewashers.xlsx
- NOFER\_faucets.xlsx
- NOFER\_flush\_plate.xlsx
- NOFER\_furniture\_wheels.xlsx
- NOFER\_grab bars.xlsx
- NOFER\_hair dryers.xlsx
- NOFER\_hand dryers.xlsx
- NOFER\_hangers.xlsx
- NOFER\_heaters.xlsx
- NOFER\_heating\_ladder.xlsx
- NOFER\_holders.xlsx
- NOFER\_hooks.xlsx
- NOFER\_industrial\_table.xlsx
- NOFER\_insect killers.xlsx
- NOFER\_mirrors.xlsx
- NOFER\_mounting frames.xlsx
- NOFER\_paper dispensers.xlsx
- NOFER\_pictograms.xlsx
- NOFER\_plastic\_cup\_dispensers.xlsx
- NOFER\_racks.xlsx
- NOFER\_sanitary accessories.xlsx



**LOD 200**

Generic object

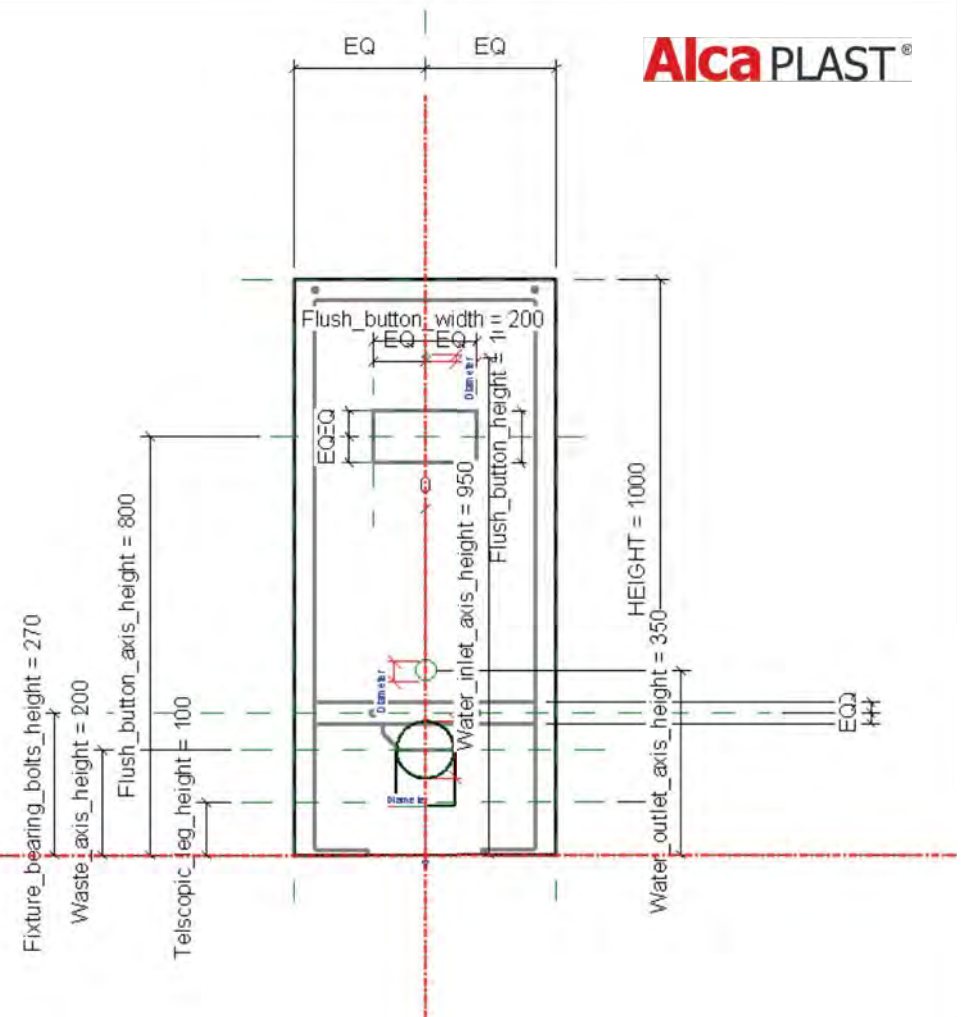
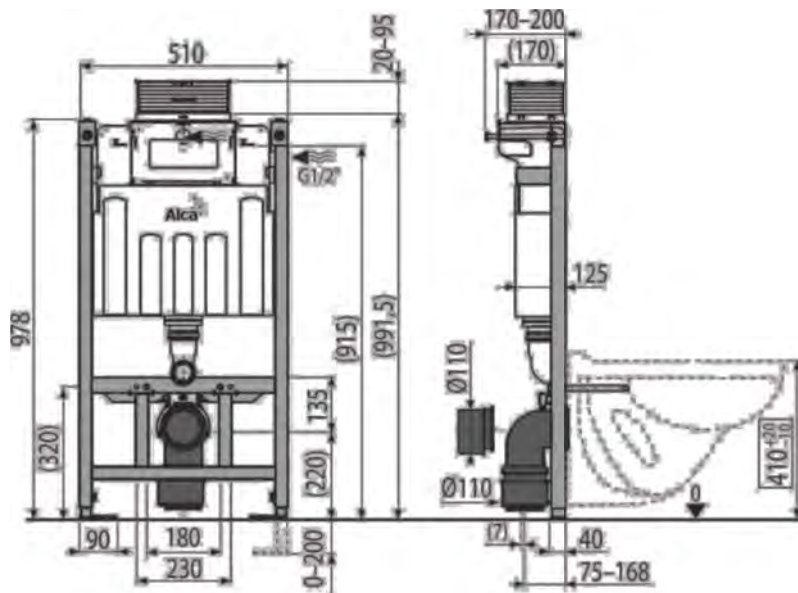


**LOD 400**

Custom geometry  
development

**NOFER**

# Geometry definition



# Geometry definition

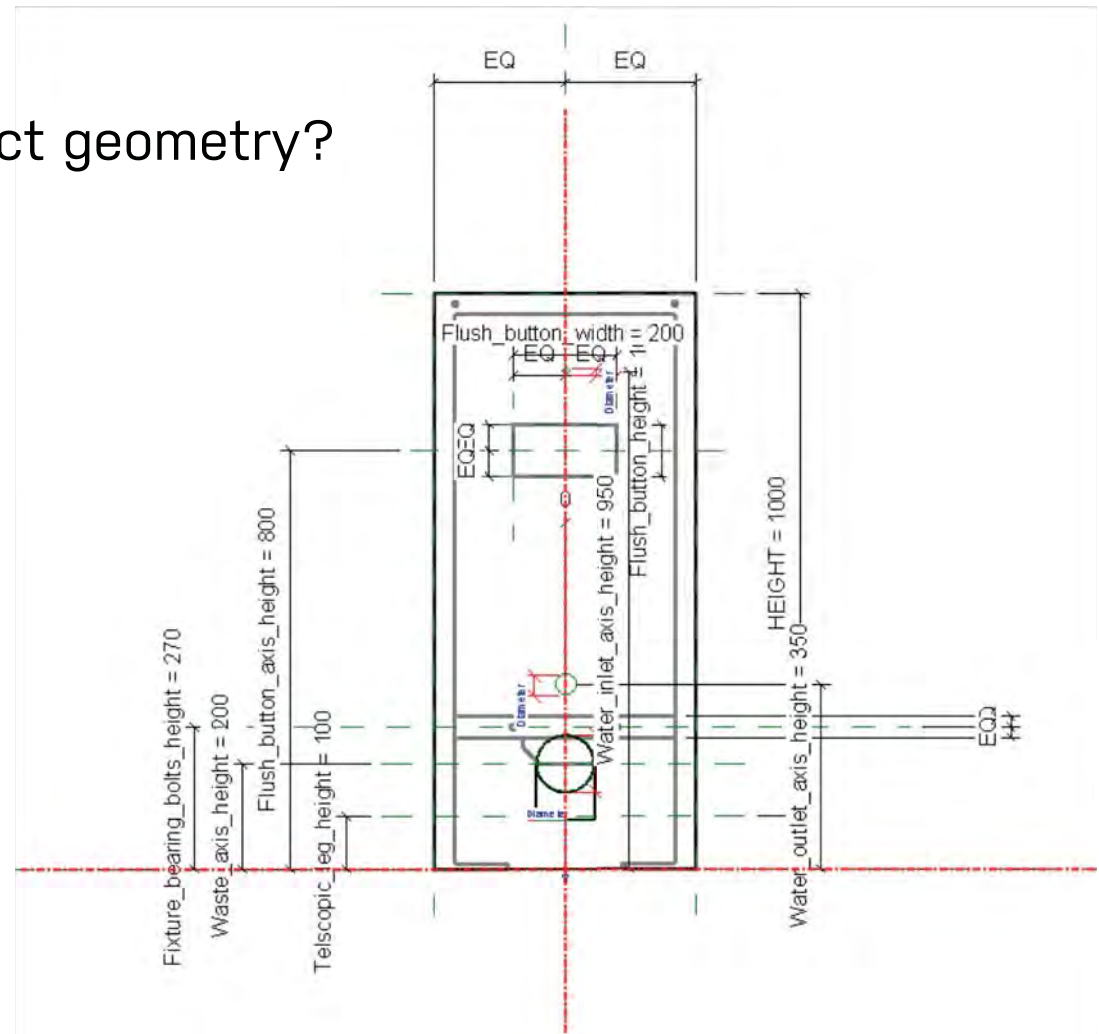
---





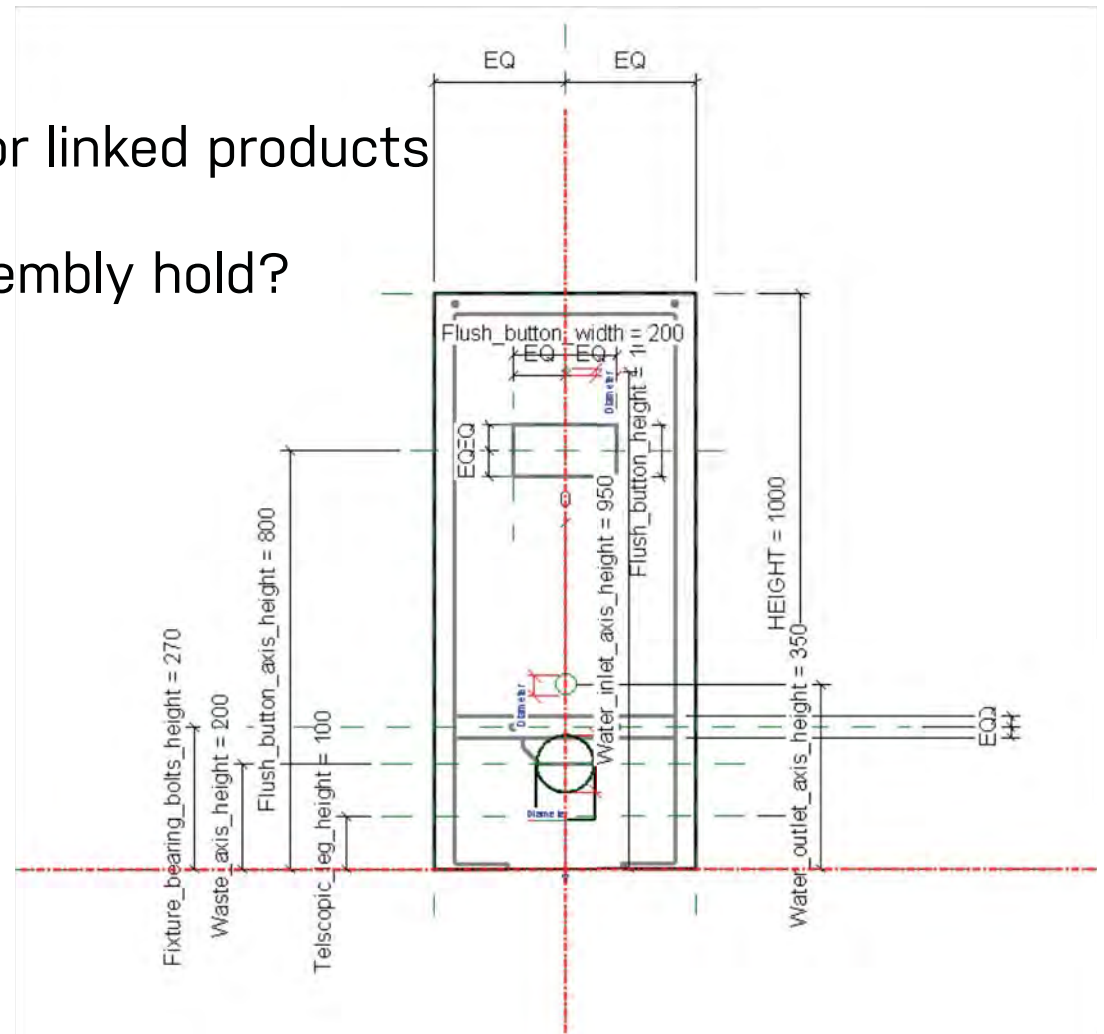
# Geometry definition

1. When do we use another object geometry?
2. Point of origin
3. Parameter linking
  - Width
  - Depth
  - Length
  - Height
  - Thickness



# Assemblies

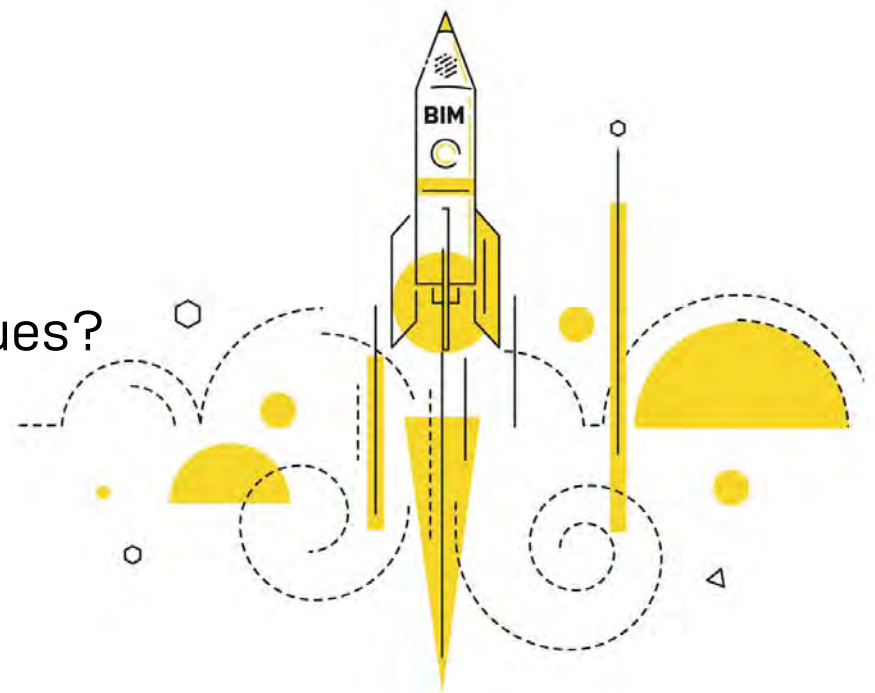
1. Different parameter names for linked products
2. Which parts should each assembly hold?



# Discussion

---

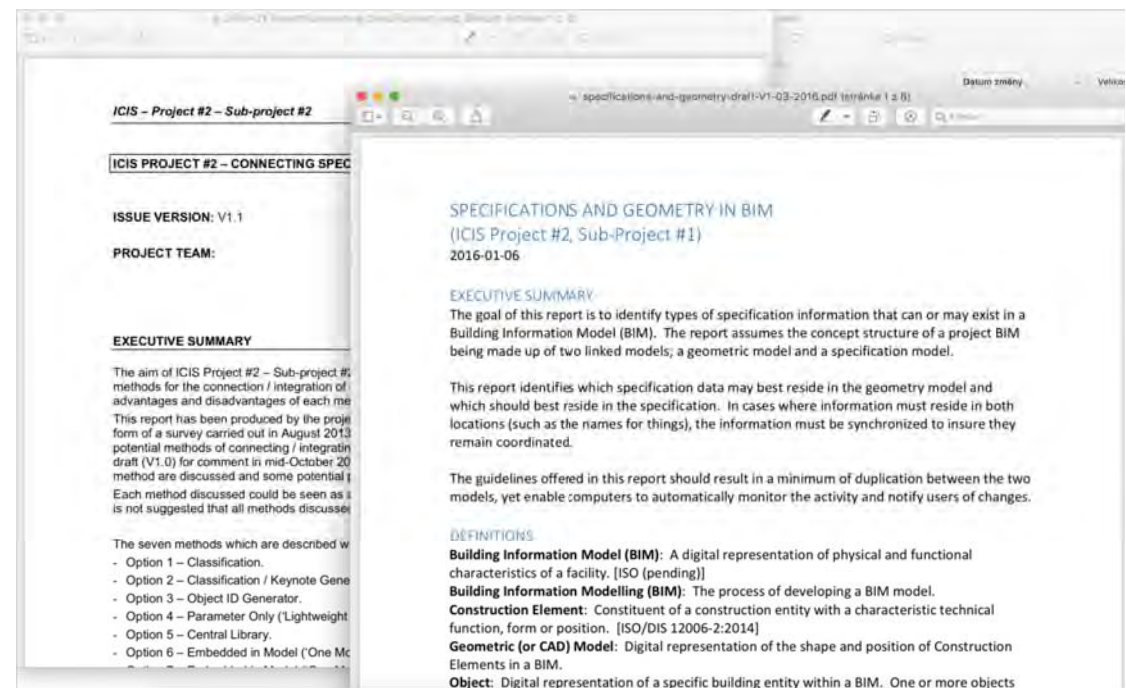
1. Where do we get the list of PDTs?
2. Do you use Assemblies?
3. Can we set a standard for this?
4. How do we deal with „calculated“ values?



# Previous ICIS documents



- Specifications and Geometry (2016)
- Report connecting specifications and BIM (2014)



# Project



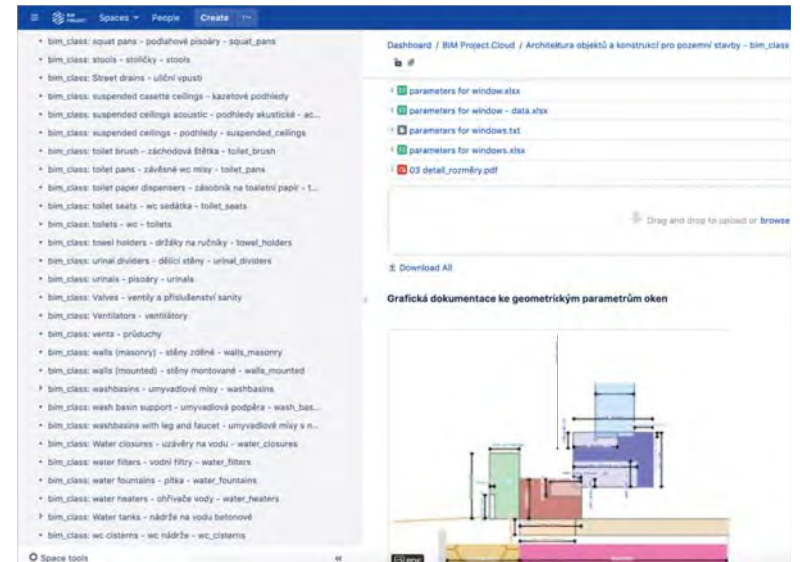
We want to lead the **BIM & Geometry project**

Project goal:

**List of most used geometry objects with basic parameters linked to generic geometry**

Budget: not needed

Infrastructure: not needed





**Thank you  
for your attention**



Ing. arch. Petr Vokoun  
Managing Director  
petr.vokoun@bimproject.cz  
+420 775 691 534